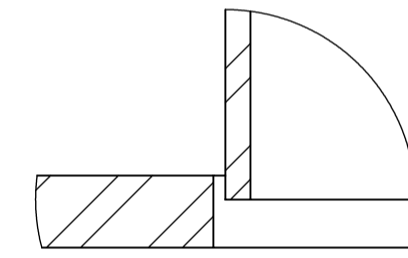
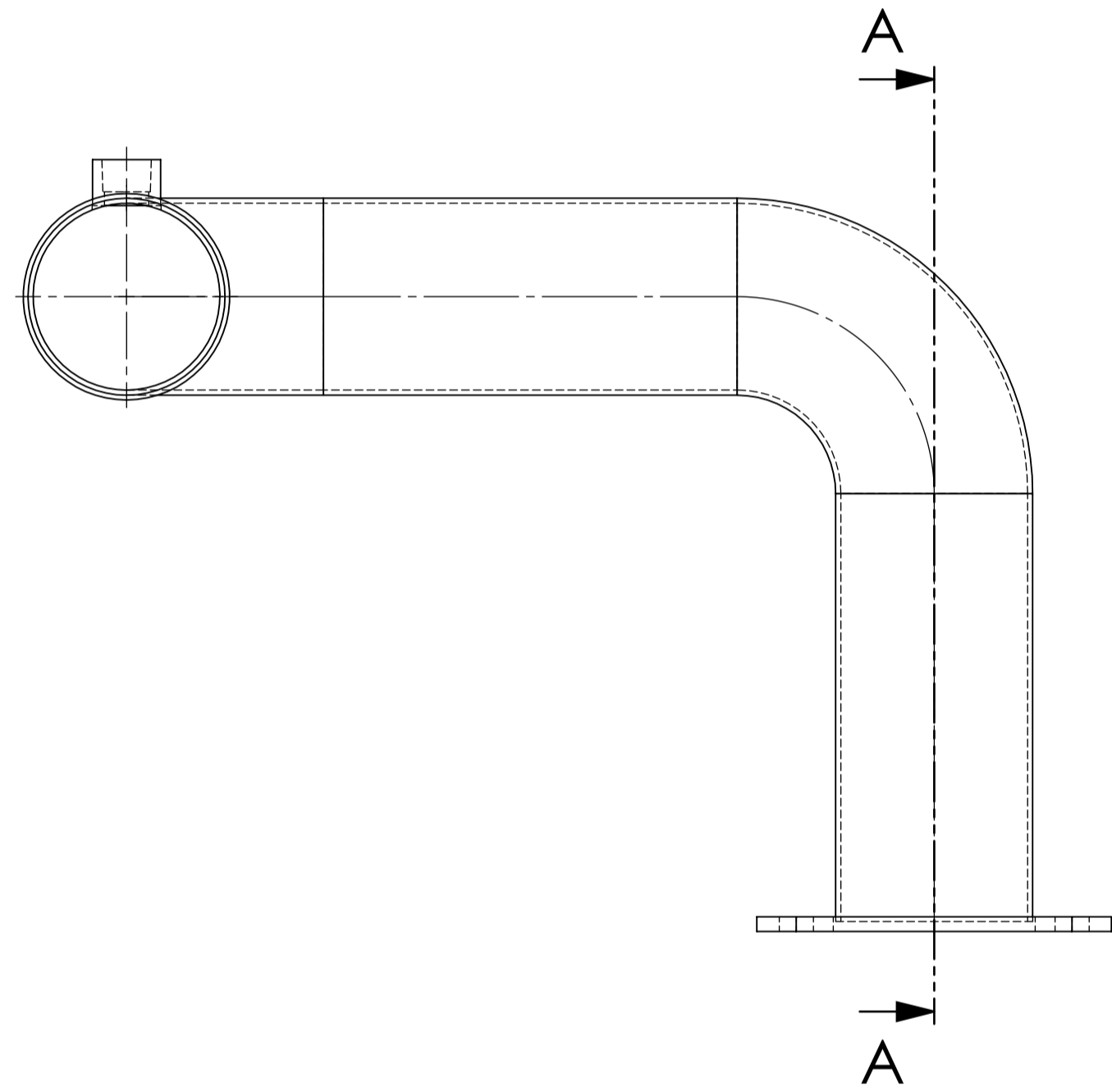
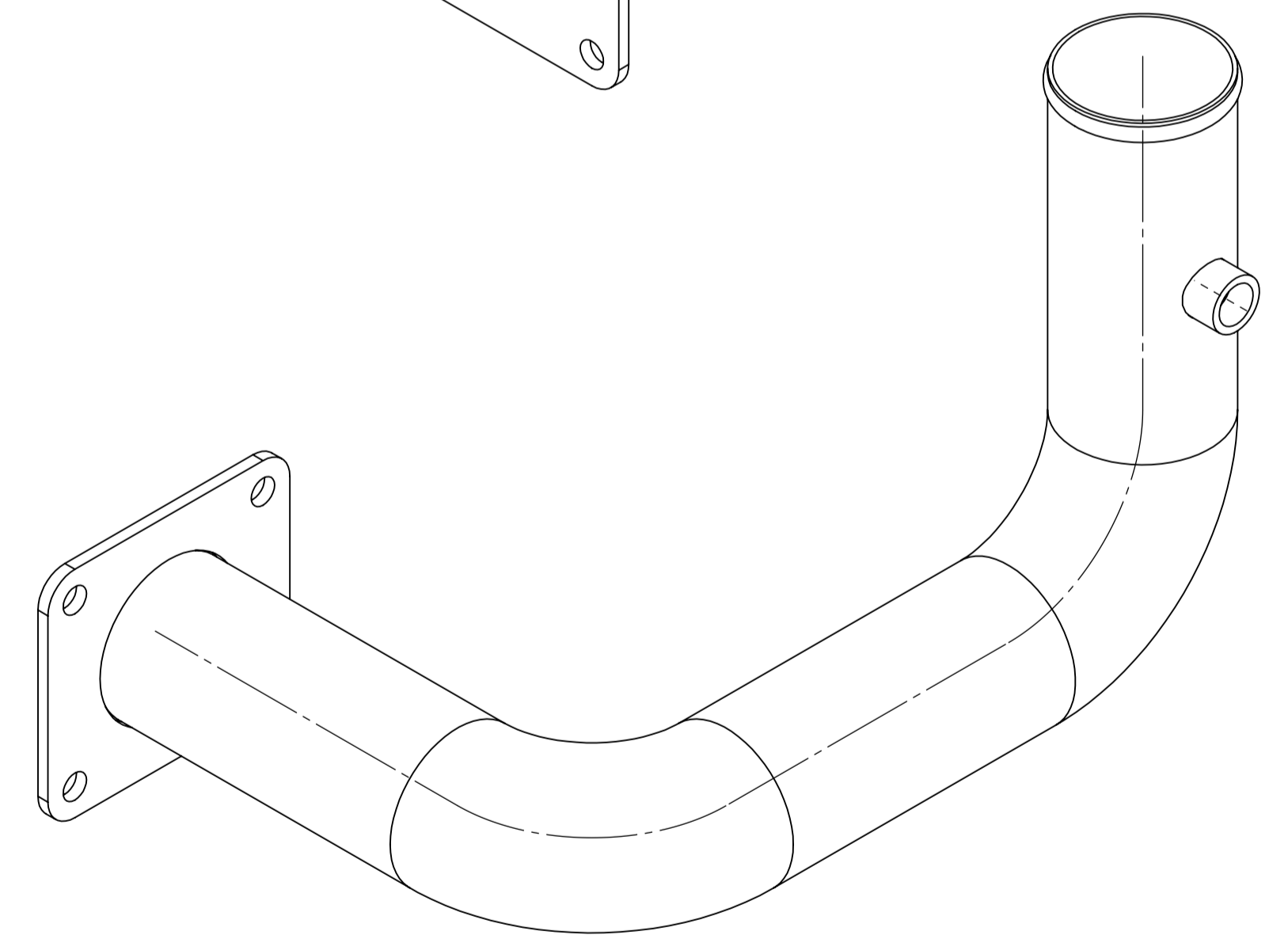
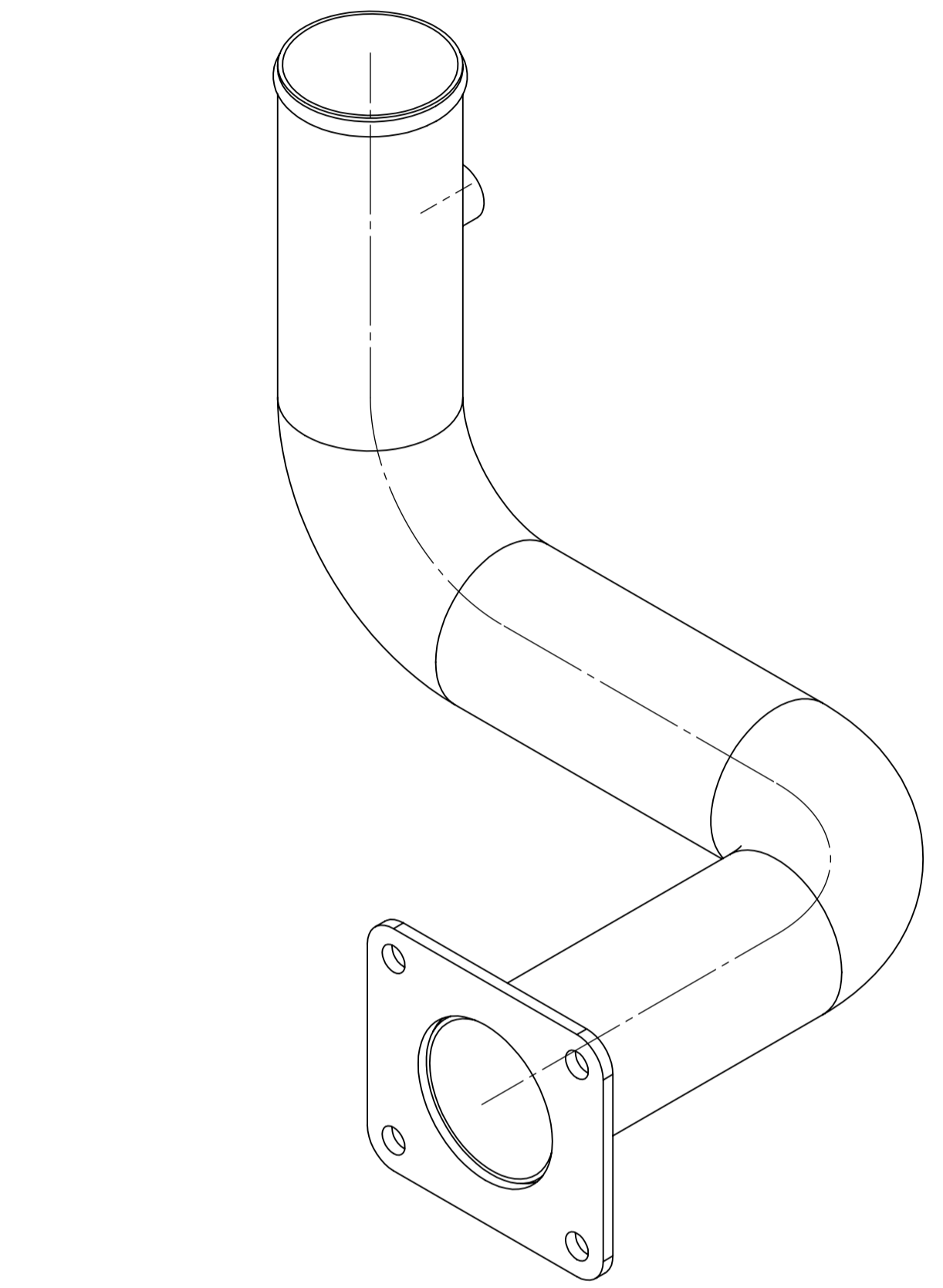
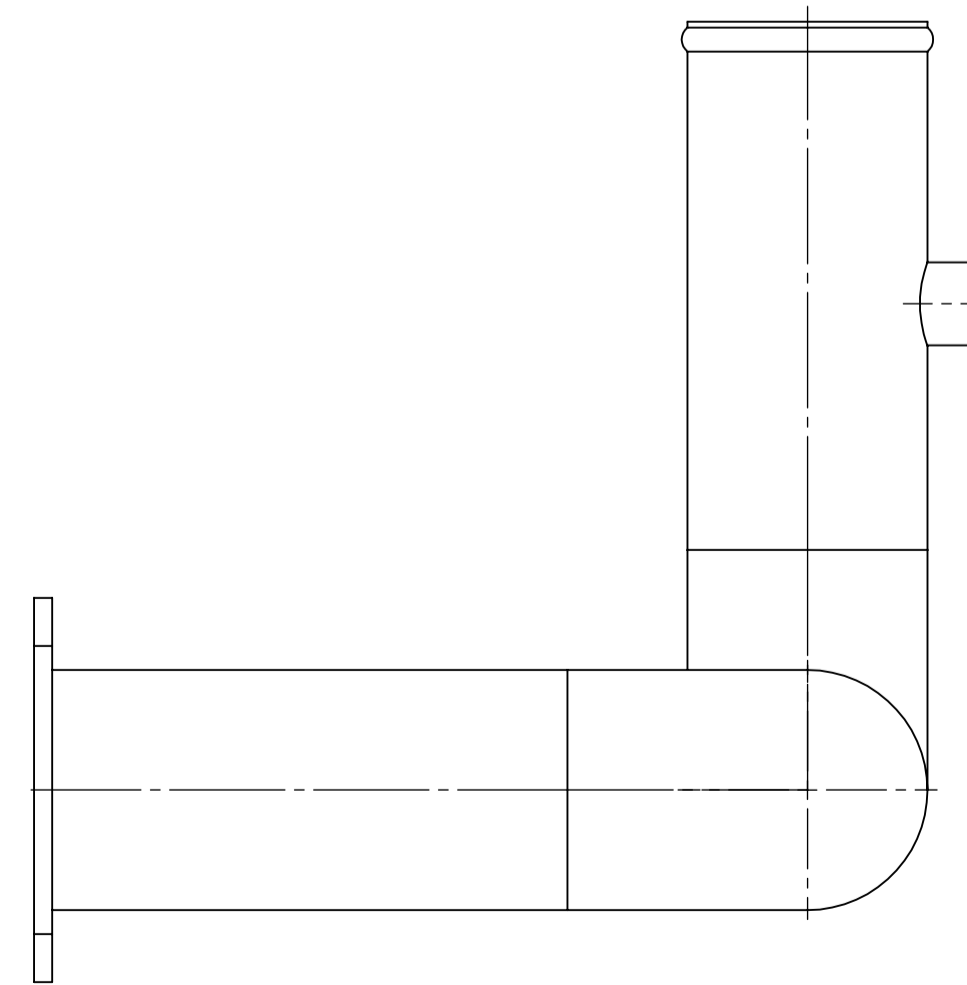
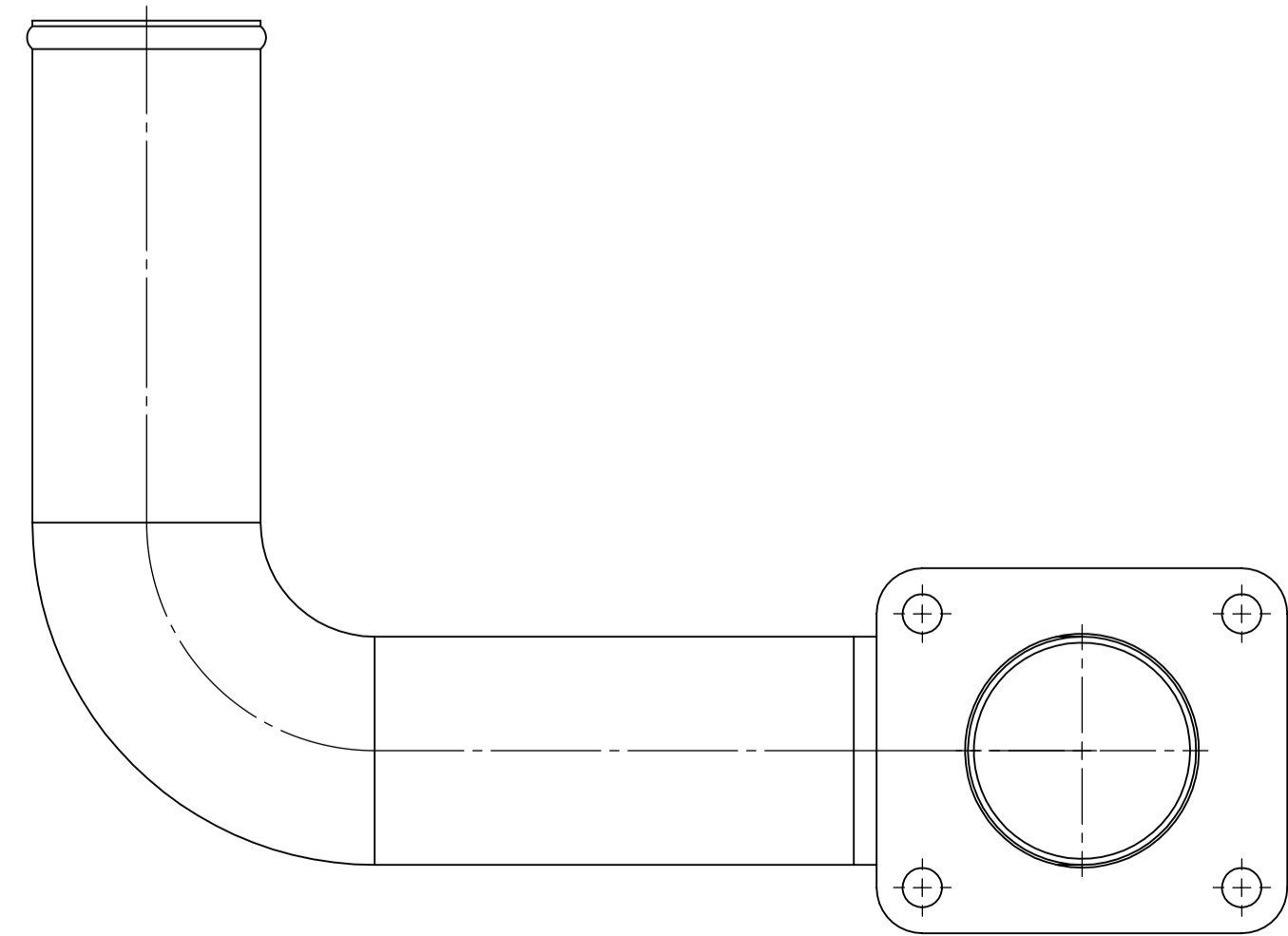


SECTION A-A



DETAIL B
SCALE 2:1



UNLESS OTHERWISE SPECIFIED: DIMENSIONS ARE IN MILLIMETERS		FINISH:	DEBURR AND BREAK SHARP EDGES		DO NOT SCALE DRAWING	REVISION
SURFACE FINISH:						
TOLERANCES:						
LINEAR:						
ANGULAR:						
NAME	SIGNATURE	DATE				
DRAWN						
CHEK						
APPV'D						
MFG						
Q.A.						
		MATERIAL:		DWG NO:		
				78-KWCU5258-PDF ^{A1}		
		WEIGHT: 4.17		SCALE: 1:2		SHEET 1 OF 1

SOUTHPONTE RADIATOR

FLANGED LOWER
COOLANT TUBE

78-KWCU5258-PDF^{A1}